

# Antenna, Cone

## ERF4074

### Description

The ERF4074 antenna is a black 868 MHz antenna with an SMA Male connector. The antenna can also be used in these frequency bands: 800 ~ 900 MHz. Antenna can be used for applications such as, LoRa , Zigbee, IoT and more.

### Technology

- 868 MHz
- LoRa
- Zigbee
- WiFi
- NB-IoT
- ISM
- 5G/4G/3G/2G
- Bluetooth



### Features

#### Electrical Properties

#### Description

Frequency marker	Frequency band MHz	Return loss dB	V.S.W.R.
1	700	-6.4	< 2.8
2	800	-13.5	< 1.5
3	868	-32.3	< 1.0
4	900	-19.9	< 1.2
5	1.800	-7.3	< 2.5
6	1.900	-7.2	< 2.5
7	2.100	-8.2	< 2.3
8	2.400	-14.8	< 1.4
9	2.600	-10.7	< 1.8
10	3.500	-7.8	< 2.4
<b>Nominal Impedance</b>		50 $\Omega$	
<b>Polarization</b>		Vertical	

# Antenna, Cone

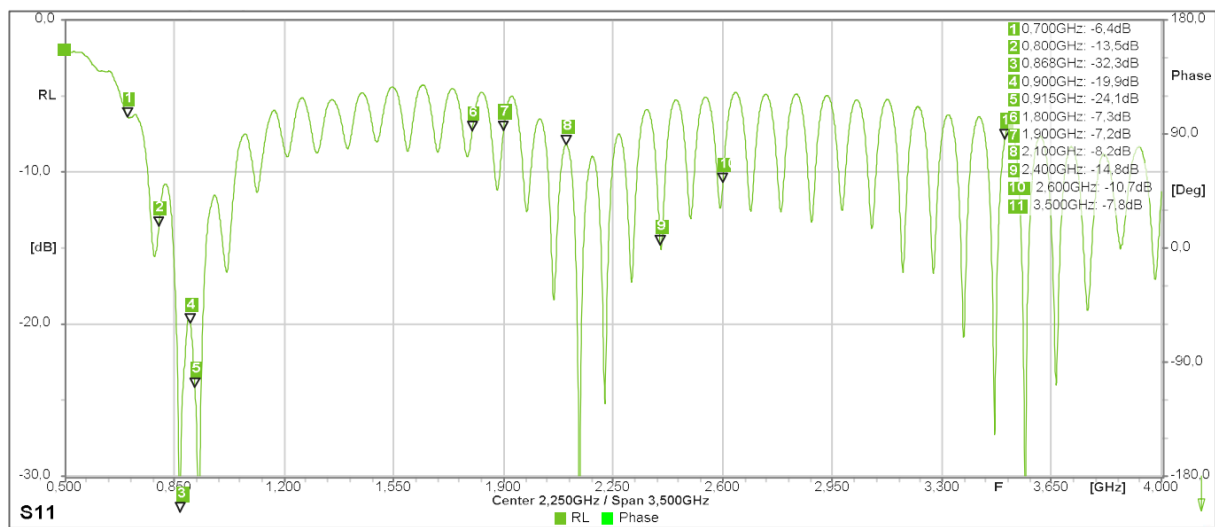
## ERF4074

Gain	XX dBi
------	--------

Mechanical Properties	Description
Antenna	External Cone Antenna
Mounting	Magnet
Connector	SMA (Male)
Dimensions	89 mm ± 5
Cable length	1000 mm ± 20
Color	Black
Operating Temperature	-20°C~+60°C
Storage Temperature	-30°C~+70°C

### Antenna Properties

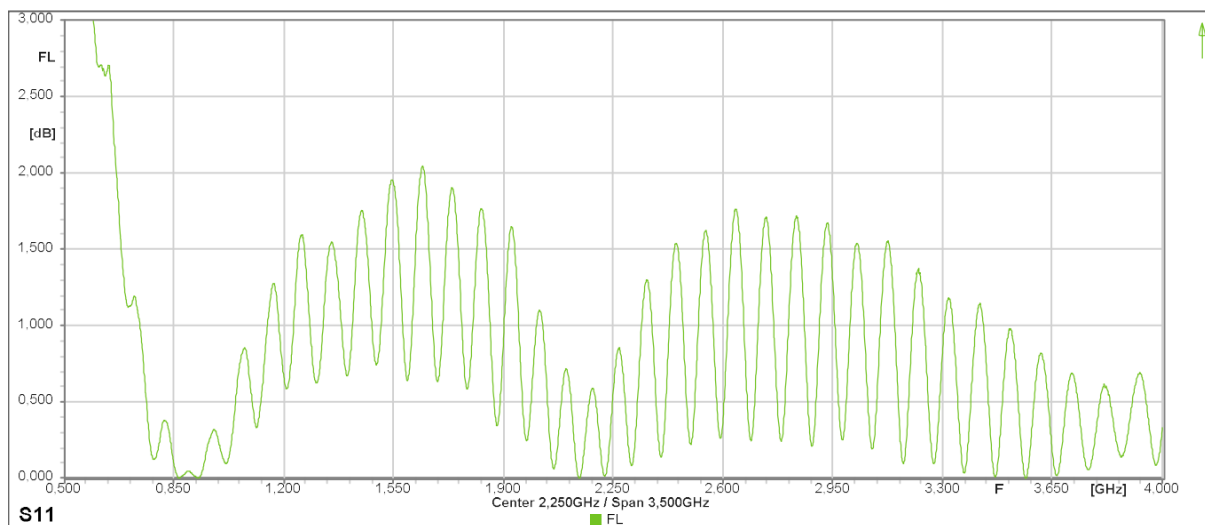
#### Return Loss



# Antenna, Cone

## ERF4074

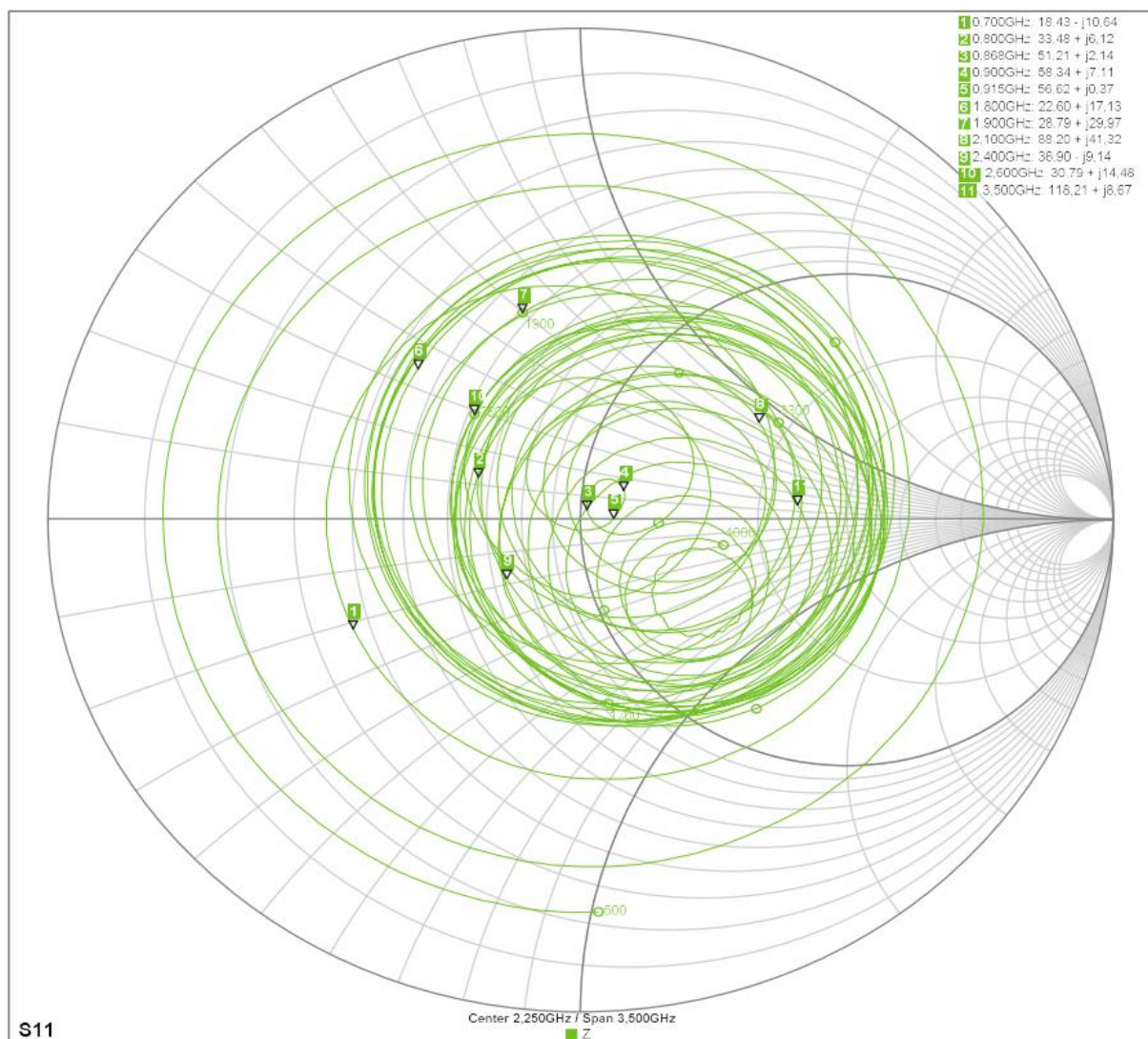
### Forward Loss



# Antenna, Cone

## ERF4074

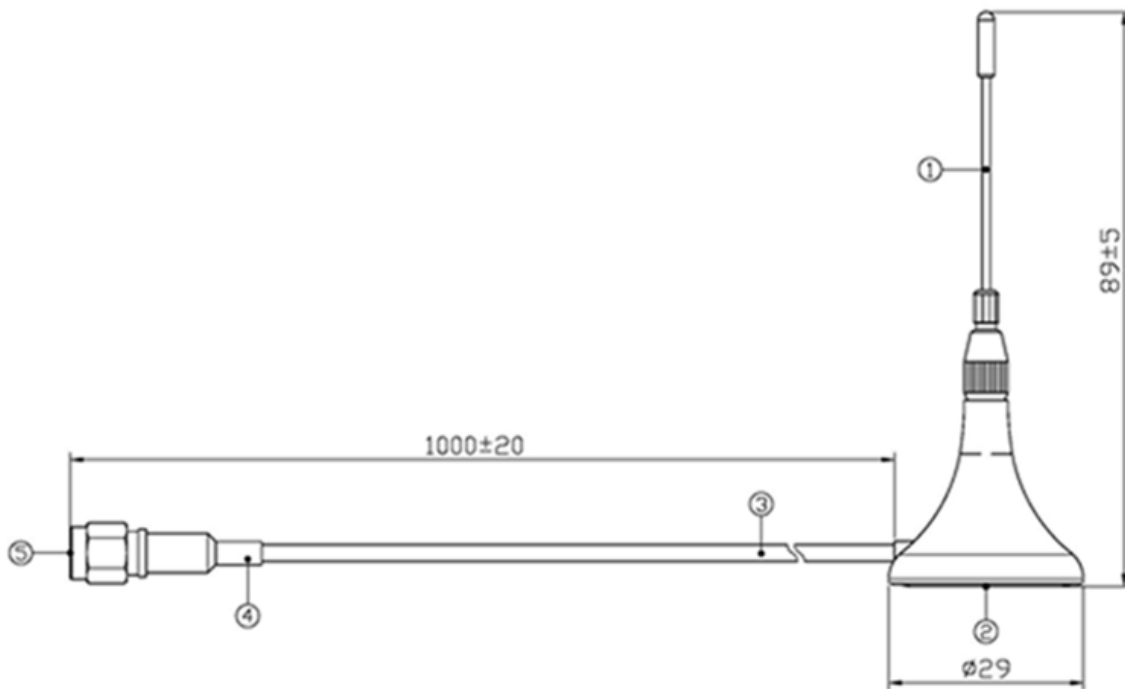
Impedance



# Antenna, Cone

ERF4074

## Dimensions



## Connectors



**SMA Male**



**SMA Female**



**RP-SMA Male**



**RP-SMA Female**

The ERF4074 antenna uses the SMA Male connector.

## Ordering information

Ordering can be done via [www.summit-electronics.com](http://www.summit-electronics.com) or via [info@summit-electronics.com](mailto:info@summit-electronics.com). Please contact us for more information. Customisation of the product is available on request.

## Technical support

For all product questions please contact us via [info@summit-electronics.com](mailto:info@summit-electronics.com)

## Document revision

Rev	Date	changes
V01.00	06-04-2023	First issue of document